

Installation Diagram

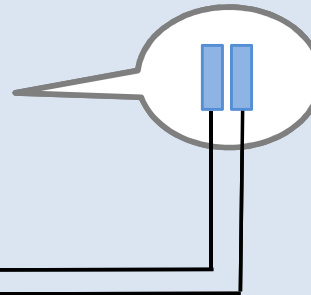
ST3 - Series Single phase in / Single phase out UPS.



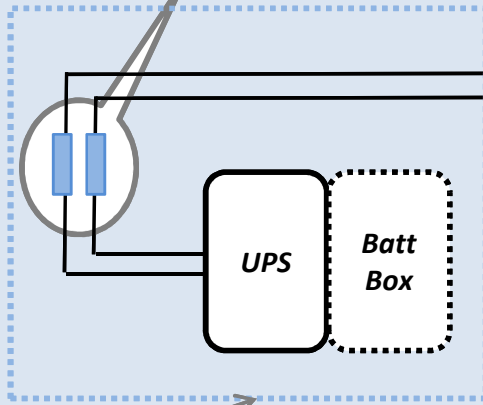
For more assistance call

011 346 1812

*Input/output CB
inside main DB*



Isolators Inside the UPS room



UPS/Server Room

For installation and maintenance purposes, the ST3 UPS system must be installed, with at least a 1m clearance from at least three sides of the ups system

if a runtime of longer than 5-15 minutes are required, a separate external battery box is necessary. The battery box should be situated next to the UPS in order to ensure that all the DC cables are kept as short as possible.

Model	KVA Rating	Input CB	Output CB	Input Cable Size	Output Cable Size	Cable	Heat Output
ST3060	6KVA	63A - 1P	32A - 1P	6mm ²	6mm ²	2C + E	800Watts
ST3100	10KVA	80A - 1P	63A - 1P	16mm ²	16mm ²	2C + E	1200Watts

Please note:

- ⇒ *The UPS system must be installed in a well ventilated or air-conditioned room, the ideal room temperature for the batteries and the UPS system is 25 °C - 30 °C every degree above 30 °C could shorter the life span of your batteries, and excessive temperatures may cause damage to the UPS.*
- ⇒ *Access must be restricted to the UPS system.*
- ⇒ *All AC cabling must be completed before PHD, will come to site and the UPS and the battery installation, if we get to site and the installation isn't complete and we have to come out a second time, then we will charge for a second call-out.*